

COB LED Downlight

Features

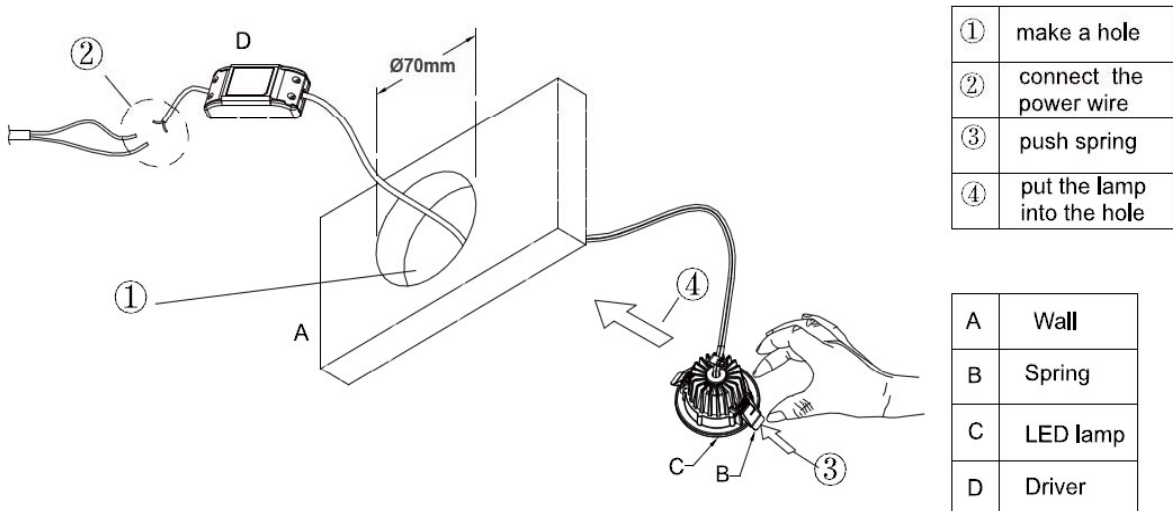
- Unique structure design ensure optimized lighting effects;
- Obvious energy-saving effects;
- No UV or IR;
- Strong and durable aluminum enclosure, good heat dissipation structure;
- Constant-current driver, provide circuit protection and ensure lumen maintenance;
- Lifespan is above 50,000 hours.



Specifications

Model No.	Power	LED Driver	Dimension	Color Temp	Luminous Flux	View Angle	CRI	Cut-hole Size
EST-CDL-8W AW	8W	Input Voltage 100-240V AC Output current CC350mA	Ø78x52.2mm	2900-3100K	630lm	45°	Ra>80	Ø70mm
EST-CDL-8W BW	8W			2900-3100K	630lm	60°		
EST-CDL-8W AN	8W			4000-4200K	735lm	45°		
EST-CDL-8W BN	8W			4000-4200K	735lm	60°		
EST-CDL-8W AC	8W			5500-6000K	700lm	45°		
EST-CDL-8W BC	8W			5500-6000K	700lm	60°		
EST-CDL-10W AW	10W	Input Voltage 100-240V AC Output current CC350mA	Ø78x52.2mm	2900-3100K	810lm	45°	Ra>80	Ø70mm
EST-CDL-10W BW	10W			2900-3100K	810lm	60°		
EST-CDL-10W AN	10W			4000-4200K	945lm	45°		
EST-CDL-10W BN	10W			4000-4200K	945lm	60°		
EST-CDL-10W AC	10W			5500-6000K	900lm	45°		
EST-CDL-10W BC	10W			5500-6000K	900lm	60°		

Installation drawing



Package information

Inner box size: (L)120*(W)85*(H)85mm

Carton size: (L)620*(W)300*(H)470mm

PCS/ CTN: 50pcs/ctn

N.W/ G.W: 13.00KG/ 13.50KG

Applications

Widely used in hotel, house, office, parking lot, exhibition, club and other places needing indoor lighting.



Cautions

1. Power must be cut off before installation, fix it on the position of installation holes, connection of the power supply must be sealed.
2. Please read the spec first, to make sure the service environment matches the condition in the specification before using.
3. Please confirm the applicable power supply before using.
4. Make sure the switch of product is off before connect to the power supply to prevent electric shock.
5. Operation against rules may damage your property even harm to your personal safety.
6. Preliminarily estimate required quantity of LED lights, then according to the power rating of single light to figure out the total power and design power supply plan.
7. The light can't be installed on the tubes and pipes.
8. If the exterior flexible cable or wire is damaged, it must exchange by the supplier, its agent or other similar qualified personnel to avoid dangers.